



**BROTHERS**  
PHARMAMACH (INDIA) PVT. LTD.

## WET GLUE LABELLING

### BS-40 Semi Automatic Wet Glue Labelling Machine

Brothers Pharmamach, the Pioneer manufacturers of Labelling Machines in India have introduced India's First, Versatile Semi Automatic Wet Glue Labelling Machine Model BS-40 in 1990. The Machine is developed for use of the customers requiring lower rate of production for their round bottles/containers, where Automatic Labelling Machine are not economical. No Change Parts required for Label size and Bottle Size, the change over time for Bottle as well as for Label size is couple of minutes.

Machine is suitable for Labelling on Round Bottles, Jars, Tins, Cans, Containers and other round objects. It is capable of Labelling up to 40 units per minute depending on products and label size. Machine with more than 500 satisfied customers in India and Abroad.

Operation of Machine is so Simple and Easy, Operator is required to Feed the Bottle and machine applies the label on it, after labelling operation operator can pick up the bottle. Cleaning of the machine requires very little time and skill which operator required to do in routine after each operation

Flame Proof and Larger Models for the specific needs of the customers are also available. The Machine comes with Foot operated switch to release the Label for labelling and also comes with an optional Electronic Label Pick Up system for the ease of operation of Labelling.



### BUILT-IN UNIQUE FEATURES :

- No Change Parts required for Change in Containers and Label Size.
- Suitable for Glass, Plastic, PET, Composite, Aluminum, HDPE, LDPE Bottles, Tins and Jars
- Grooved and Brut Shaped Bottles can also be labelled
- Optional Electronic Label Pickup System
- Compact Table Top model for ease in handling
- Glue Consumption minimize by Specially designed Strip Gluing System
- Suits partial as well as complete/overlapped labelling
- No Container - No Label System
- Stainless Steel 304 Enclosures
- Heavy Duty Machine construction with Heavy Duty Gear Box and Motor for longer life.
- Suitable for Pharmaceutical, Food, Beverage, Distillery, Cosmetic, Pesticide, Agro-Chemical and similar products.

### TECHNICAL SPECIFICATIONS :

Container Diameter : 40 mm to 150 mm\*  
Height of Container : 35 mm to 260 mm\*  
Label Width : 25 mm to 160 mm\*  
Label Length : 90 mm to 325 mm\*  
Electrical : 415 VAC Three Phase Power Supply (50 Hz)  
Power : 0.25 H.P.  
Speed : Upto 40 Labels per minute (Depending on skill of operator)  
Bottle Change Over : 2 to 3 Minutes Time  
Label Change Over : 3 to 5 Minutes Time  
Label Magazine Capacity : 200 Labels Appx.  
Overall Dimensions : 715 mm (L) x 715 mm (W) x 460 mm (H)  
- Bigger Version can take Label Width 220mm and Length 525mm or you can order special machine as per your sizes.

\* Specification can be changed as per customers requirements

## TECHNICAL SPECIFICATIONS

Label Height : 30 mm to 155 mm\* Both Version

Label Length : 100 mm to 325 mm\* Standard Version and  
50 mm to 200 mm Special Version

Product Diameter : Up to 85 mm\*

Glue : Free Flowing Cold Dextrine Base Glue or other glue which does not create any fibres or threading during rotation, water soluble glue is required

Electrical : 415 VAC 3 Phase or 220 VAC 1 Phase Power Supply through A.C. Variable Frequency Drive System(50/60 Hz)

Power : 2 H.P.

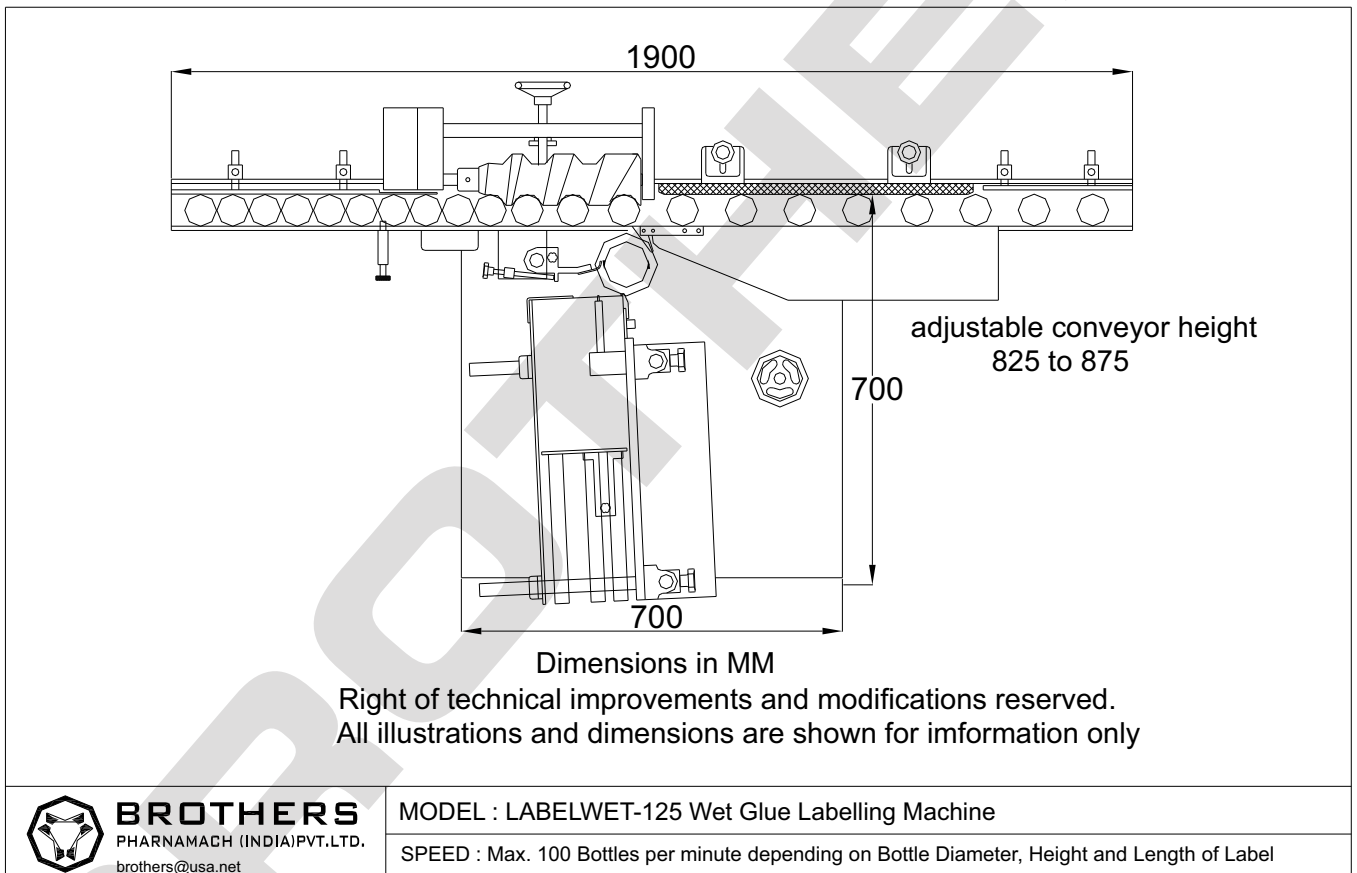
Speed : Up to 100 Labels per minute depending on Bottle and Label Size

Conveyor height : 830-875 mm\*

Overall dimension : 1900 mm(L) X 900 mm(W) X 1300 mm (H)

Machine Direction of Movement : Left to Right from operator side

\* Specification can be changed as per customers requirements



## BROTHERS PHARMAMACH (INDIA) PVT. LTD.

Plot No.2, Phase II, GIDC, Vatva, Ahmedabad 382445. INDIA

Phone : +91 79 40213213, 25831346, 29708139 Fax: +91 79 40213220, 25835885

+91 9825037971, 9825006052

Email : sales@brothers.in mevada@usa.net

Website : www.brothers.in

