



BROTHERS
PHARMAMACH (INDIA) PVT. LTD.

STICKER (Self-Adhesive) LABELLING

LABELSTIK-60R Automatic Rotary Wrap Round Sticker Labelling Machine

India's First and only, Automatic Vertical Rotary Sticker Labelling Machine Model LABELSTIK-60R, is one of the most user friendly and suitable for applying Wrap Round or Partial Label on Rectangular, Square, Hexagonal or Round Shape bottles. Machine suitable for covering total body of bottles having special shape where the linear label is not suitable to apply labels. The Machine incorporates latest sophisticated Micro Processor Control Label Dispensing system with user friendly Sensing system for Label and Product. It is capable of Labelling up to 100 units per minute depending on products and label size.

Machine is fully synchronised with all operations including Product Conveyor, Feed Worm, Infeed-Exit Star Wheel and Label Dispensing for optimum labelling accuracy, it also helps to change the labelling speed online with the help of Single Speed Pot provided on control panel.

LABELSTIK-60R The one and only High Speed Rotary Sticker Labelling Machine available in India, with unique single point synchronised speed control system. The Inbuilt Automated Label Length detection systems eliminates any need for manually feeding and storing of Label Length data in memory and retrieving the same every time for change of Label Size & re-starting the machine. The System thus saves valuable time, avoiding machine-down time, and helps achieve higher production.

Machine can be supplied with Optional Toughened (Tempered) Glass or Acrylic Safety Cabinet. Machines having required all basic features as a standard fitment to match the current market needs and also saves cost and time.



BUILT-IN UNIQUE FEATURES :

- No Label Data Input/retrievals require for any Label Size
- Colour Touch Screen Operator Panel
- No Change Parts for Label size
- Single Pot On-line Speed Variation control
- Synchronized speed of Label Dispensing, Conveyor, Feed Screw and Infeed-Exit Star Wheel
- Virtually Maintenance free machine
- Easy to change label application height
- User Friendly Label Placing Adjustments
- Self Protected against Voltage Fluctuations
- Suitable for On-Line InkJet and Contact Coding System
- Suitable for Partial, Full Wrap Around and Overlap Labelling
- Built In A.C. Variable Frequency Drive System.
- Fully Stainless Steel finish Machine
- Servo Driven High Speed Label Dispenser

* Refer Plug & Play Sticker Labelling UNIQUE FEATURES page for more details

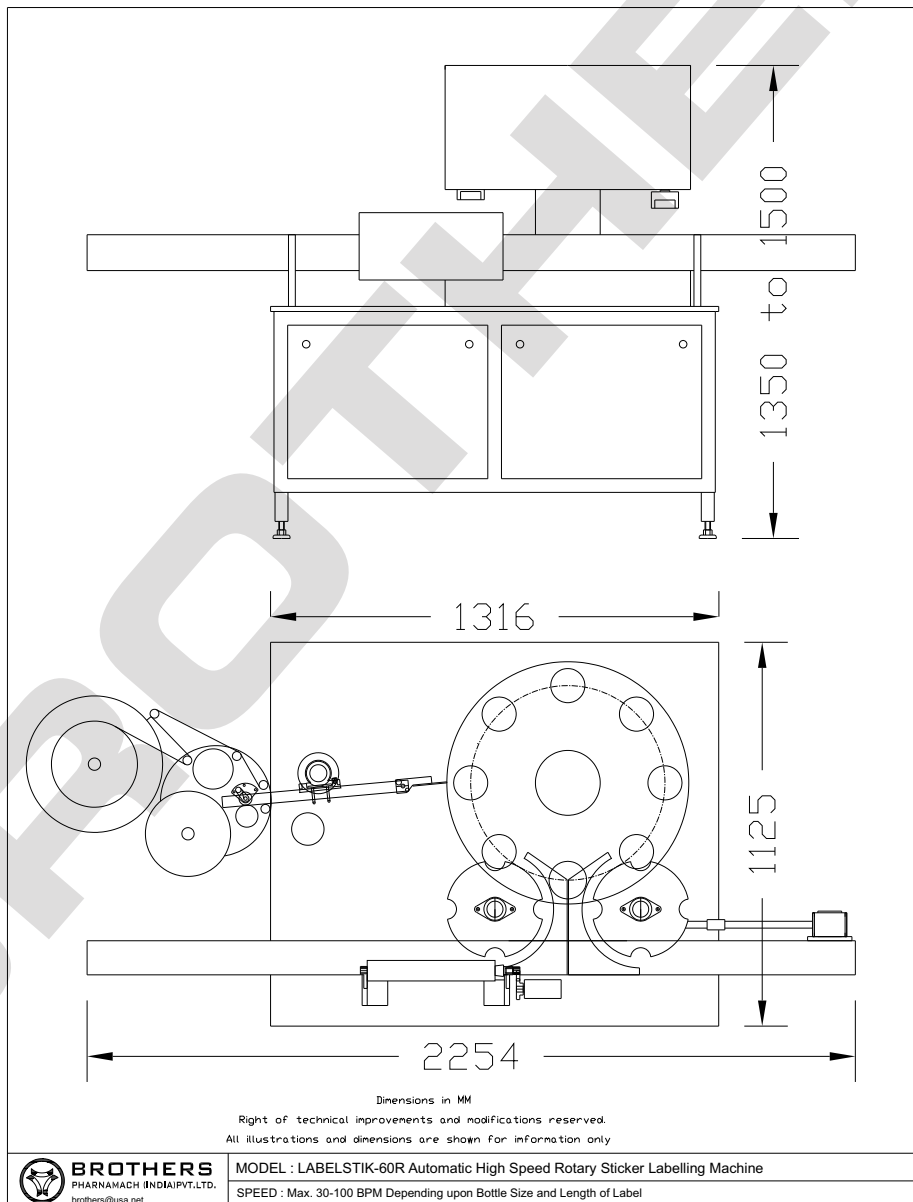
TECHNICAL SPECIFICATIONS

Label Height : 8 mm to 90 mm Standard*
Label Length : 12 mm Minimum
Label Roll Dia. : 300 mm
Core Dia. : 75/76 mm
Gap Between two Labels : appx. 3 mm
Product Size : As per customers requirement
Electrical : 220 VAC Single Phase Power Supply (50/60 Hz)
Power : 2.5 Amp.
Capacity : 0.75 Kw
Speed : 30-100 Labels per minute depending on Product and Label Size.
High Speed 200 Products per minute also available on request.
Conveyor height : 830-875 mm*
Overall dimension : 2440 mm(L) X 950 mm(W) X 1400 mm (H)

* Specification can be changed as per customers requirements

OPTIONAL FEATURES :

- Label Roll Empty - Machine Stop System with Alarm
- Missing Label in Roll - Machine Stop System with Alarm
- Special Label Sensor for sensing Transparent Film Labels which does not have any sensing mark on it.
- Option of Contact Coder, Hot Foil Coder, HP Cartridge Coder and Inkjet Coder with various speed range available.
- Toughened Glass or Acrylic Safety Cabinet for Machine
- Tower Light showing the machine status / operation
- Special Sensing system for checking missing label on product
- Low Compressed Air - Machine Stop with Alarm system for pneumatically operated coding system
- Vision System for checking Barcode, presence or absence of Coding or Pharma code on labels
- Vision System with OCV / OCR system for checking coding on labels
- Online pneumatically operated product rejection system
- Turn Table and Packing Conveyor (Turn Table suitable for round products only.)



BROTHERS PHARNAMACH (INDIA) PVT. LTD.

Plot No.2, Phase II, GIDC, Vatva, Ahmedabad 382445. INDIA

Phone : +91 79 40213213, 25831346, 29708139

Fax: +91 79 40213220, 25835885

+91 9825037971, 9825006052

Email : sales@brothers.in mevada@usa.net

Website : www.brothers.in

BROTHERS