



**BROTHERS**  
PHARMAMACH (INDIA) PVT. LTD.

## LABEL ROLL WINDING AND COUNTING MACHINE

### LABELCOUNT-250 Automatic Label Roll Winding and Counting Machine

The Automatic Sticker Label / Film Roll Winding or Unwinding and Counting System. The system is useful for counting of Label Roll as well as Printing of Various data i.e. Batch no., Price, Date on Labels using Inkjet Coding or other Non-Contact Coding System provided by user. Machine with built-in Label Sensor and Electronic counter for easy use of system for counting of labels. Machine also having A. C. Variable Drive System for Speed Control. System is also useful for counting various type of packaging materials i.e. Pouch Film Counting and also for Coding with the help of Inkjet Coding System. Machine with Variable Speed Control, 400 mm Diameter Label Spool with Fully Stainless Steel Construction.

Machine with specially designed controller which helps operator to set the machine to count required label and stop the labelling after reaching desired count of labels, however the stoppage tolerance of labels is depending on length of labels and the stop position of roll would be 6 to 12" forward depending on speed of machine.

Extra Label Sensor require for using Coding System to print Serial number or other detail on labels. Optional Online Coding System, Inspection System available on request. Machine Stop Automatically once selected information on label found missing (System Includes suitable Camera System with Light Source for scanning)



#### **BUILT-IN UNIQUE FEATURES :**

- Virtually Maintenance free machine
- Easy to change label roll size
- User Friendly Label Counting Adjustments
- Self Protected against Voltage Fluctuations
- Suitable for On-Line InkJet/Laser Coding System using required sensor and encoder
- Suitable for Label Counting as well as offline Coding
- Built In A.C. Variable Frequency Drive System.
- Fully Stainless Steel finish Machine

## TECHNICAL SPECIFICATIONS

Label Roll Height :90 mm Standard\*

Label Roll Dia. : 400 mm

Core Dia. : 75/76 mm

Gap Between two Labels : appx. 3 mm

Label Roll Speed : 24 Meters per minute (Optional 45 Meters available)

Electrical : 220 VAC Single Phase Power Supply (50/60 Hz)

Power : 1.2 Amp.

Capacity : 0.75 Kw

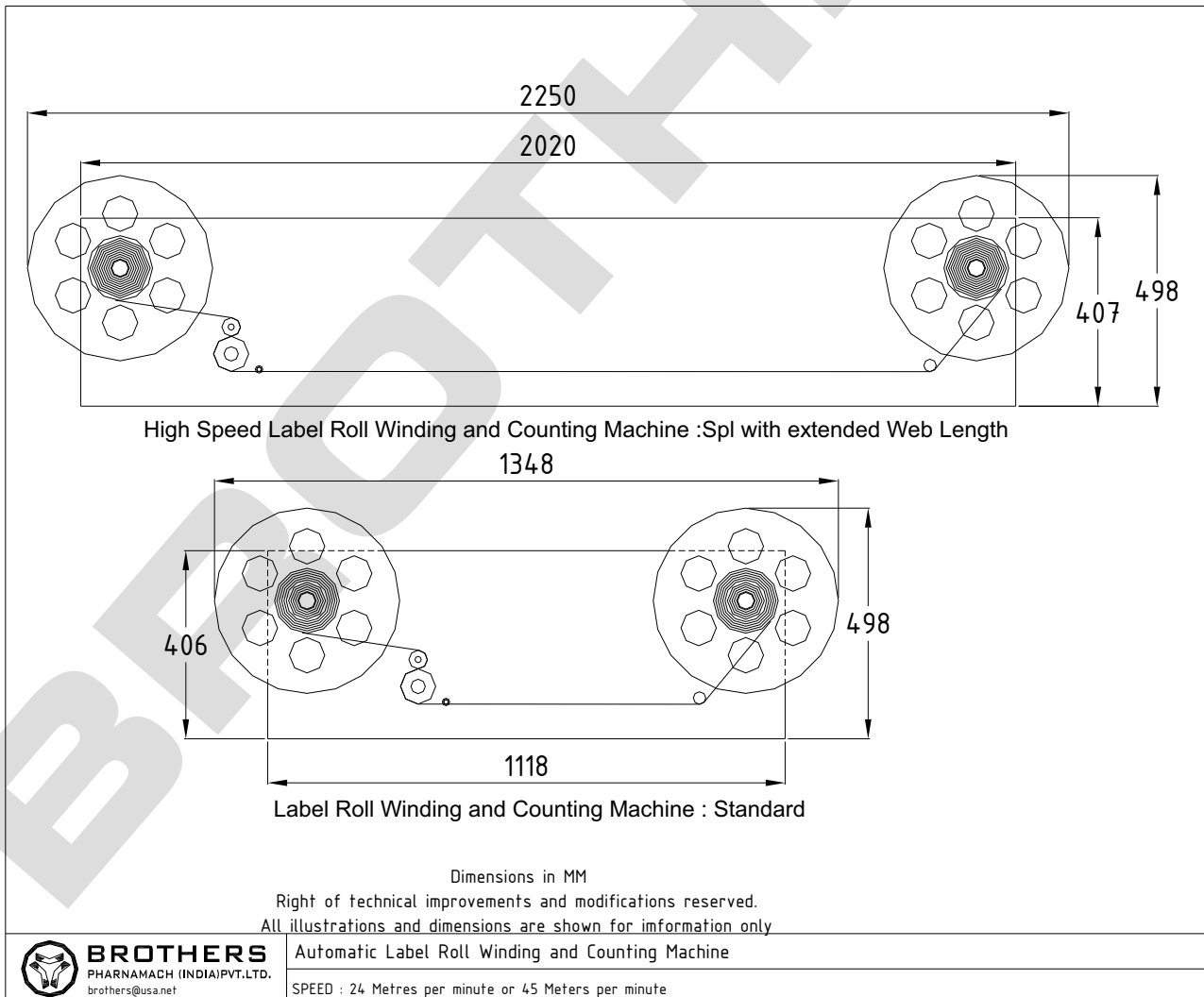
Overall Dimensions : 1350 mm (L) x 550 mm (W) x 1200 mm (H) (24 Mtr./Min.)

2250 mm (L) x 550 mm (W) x 1200 mm (H) (24 Mtr./Min.)

\* Specification can be changed as per customers requirements

## OPTIONAL FEATURES :

- Label Roll Empty - Machine Stop System with Alarm
- Missing Label in Roll - Machine Stop System with Alarm
- Option of Inkjet Coder for Offline printing various data on labels or on release paper.
- Vision system for checking various data on labels
- High Speed Roll Counting with 45 meters per minute speed
- Label Sensor and Encoder for Inkjet Coding



## **BROTHERS PHARMAMACH (INDIA) PVT. LTD.**

Plot No.2, Phase II, GIDC, Vatva, Ahmedabad 382445. INDIA

Phone : +91 79 40213213, 25831346, 29708139

Fax: +91 79 40213220, 25835885

+91 9825037971, 9825006052

Email : sales@brothers.in mevada@usa.net

Website : www.brothers.in

